

Product Lines

BFH 3~4 Series High Pressure Bag Filter Housing

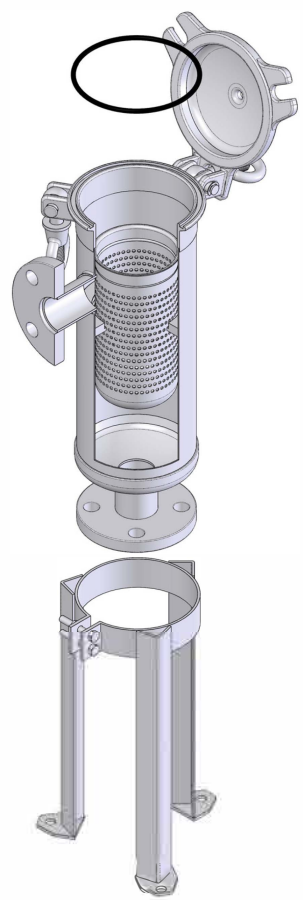
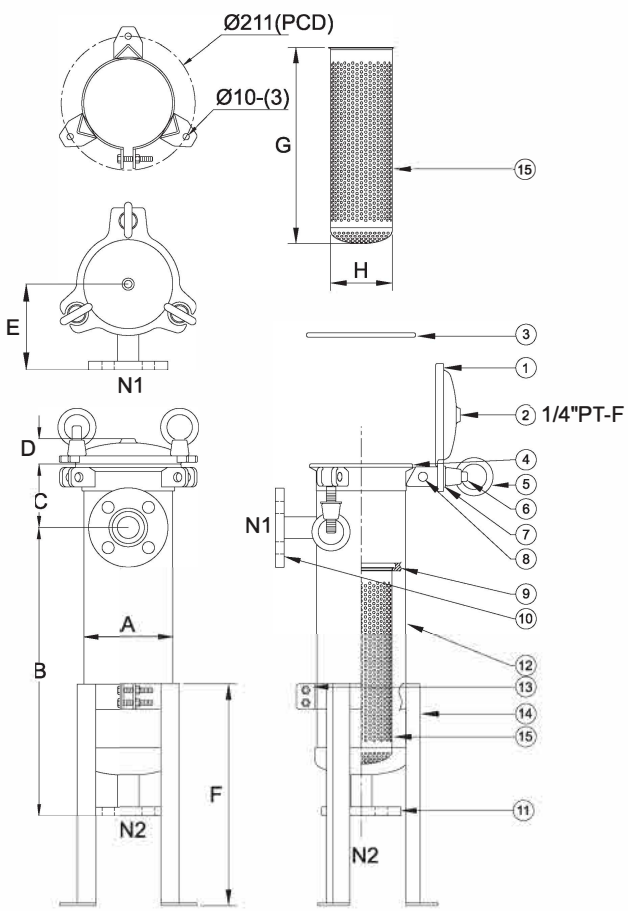
Design P.	15kg/cm ²	Operating P.	10kg/cm ²
Design T.	100°C	Operating T.	75°C
Accessory	Filter bag.Bag pressing. Bag bracket.Metal float ball		



BFH 3~4 Series

High Pressure Bag Filter Housing

No.	Description	No.	Description	No.	Description
1	Top cover	6	Eye bolt	11	Port outlet
2	Vent	7	Washer	12	Shell
3	O-ring	8	Spindle	13	Bolt
4	Shell Flange	9	Filter bag plate	14	Support Leg
5	Eye nut	10	Port inlet	15	Basket



Model	A m/m	B m/m	C m/m	D m/m	E m/m	F m/m	G m/m	H m/m	M ³ /Hr	GPM	Weight	Volume
BFH-3	Ø139.8	350	100	40	135	350	200	Ø97	4.5	20	18kg	6.3L
BFH-4	Ø139.8	450	100	40	135	350	310	Ø97	9	45	21kg	7.8L