

Product Lines

TS Series Single Cartridge Filter Housing

Design P. 10kg/cm² Operating P. 7kg/cm²

Design T. 100°C Operating T. 75°C

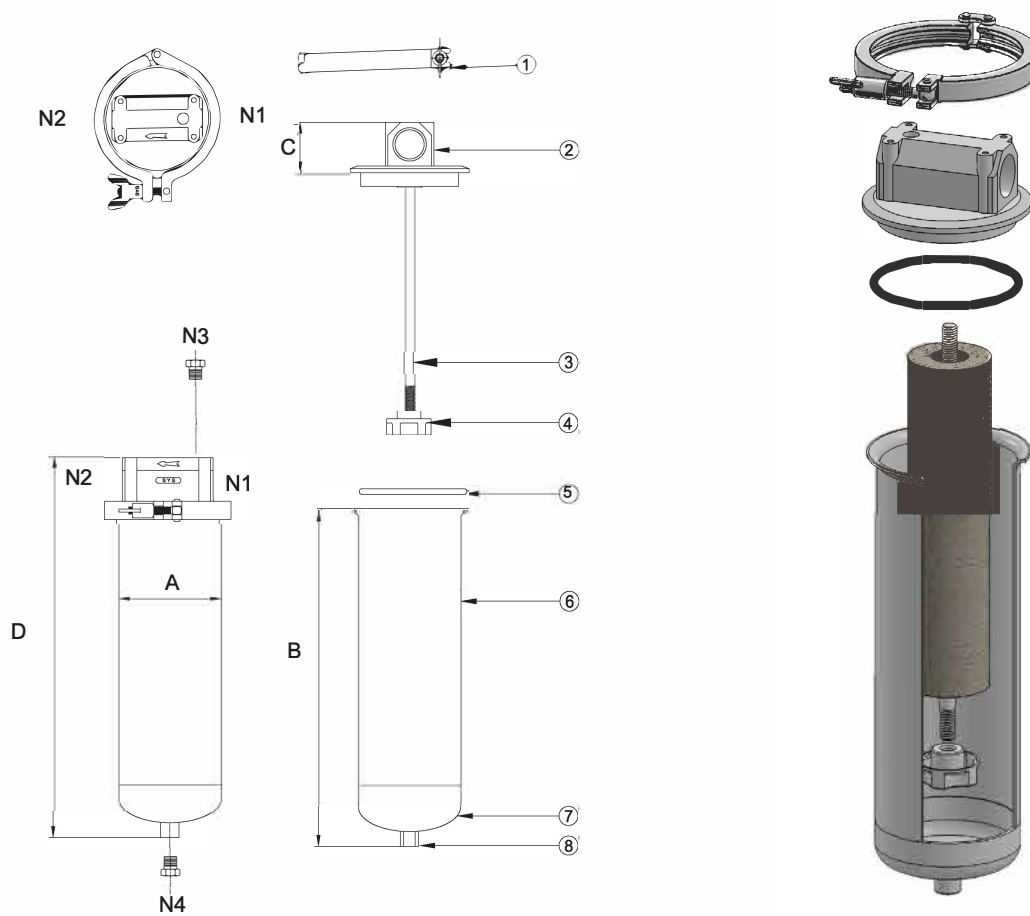
Accessory Mounting Bracket

Accessory Cartridges



Single Cartridge Filter Housing

No.	Description	No.	Description	No.	Description
1	Clamp	4	Nut	7	Bottom cover
2	Cartridge support plate	5	O-ring	8	Drain
3	Screw rod	6	Shell		



Model	Length of Cartridge	A m/m	B m/m	C m/m	D m/m	M ³ /Hr	GPM	Weight
TS1	10"	Ø106	340	52	392	1	5	4kg
TS2	20"	Ø106	590	52	642	2	10	5.5 kg
TS3	30"	Ø106	840	52	892	3	15	7kg